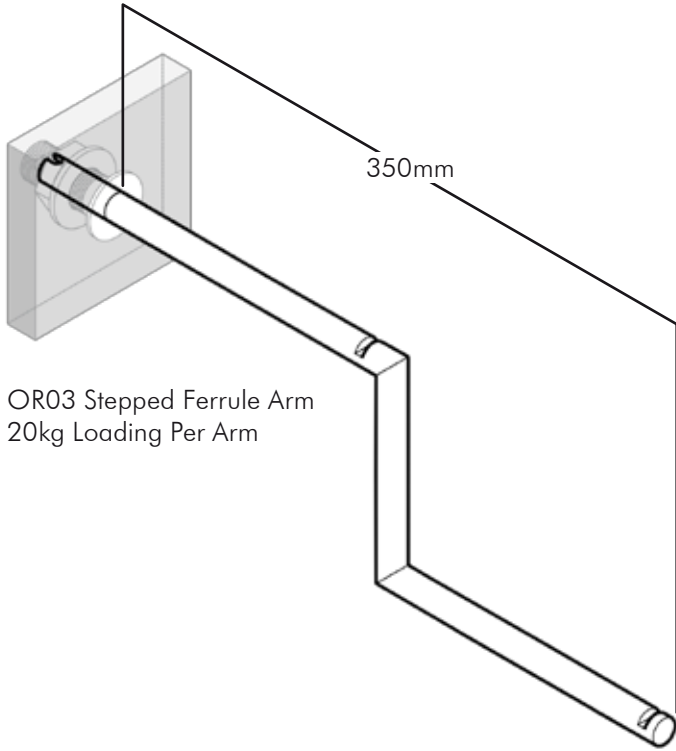
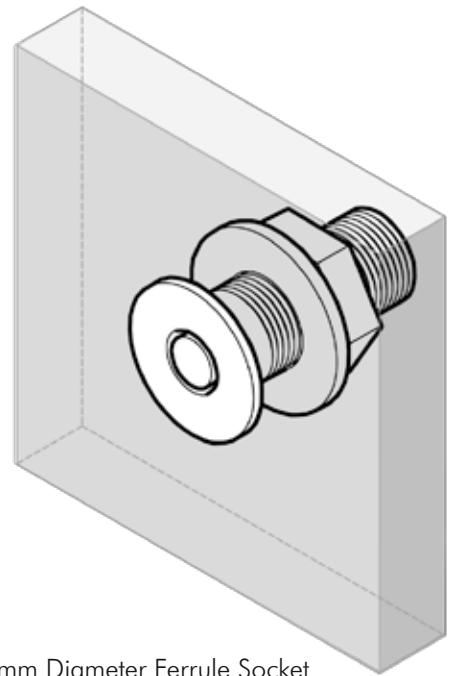


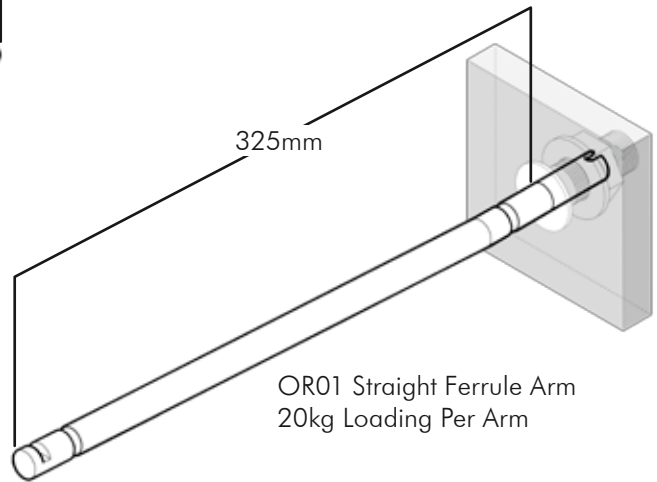
# Orbit Socket & Arms



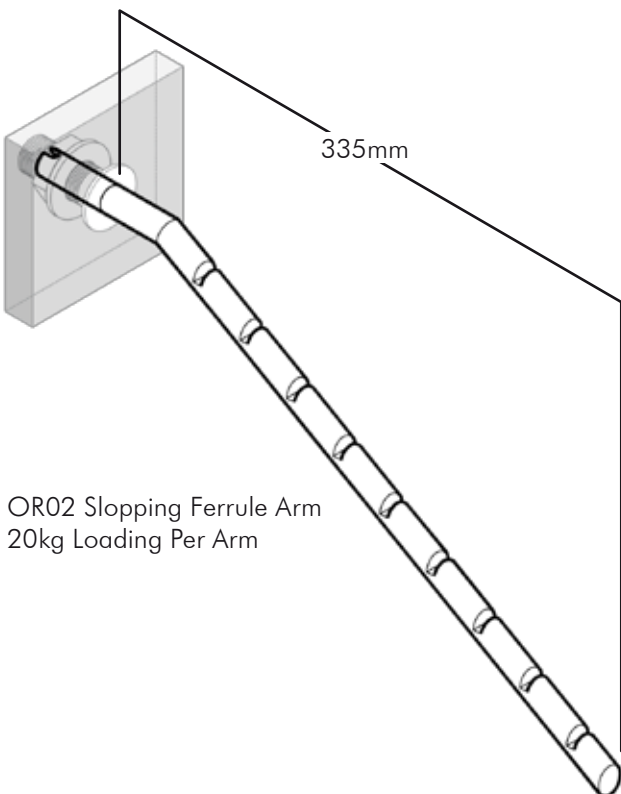
OR03 Stepped Ferrule Arm  
20kg Loading Per Arm



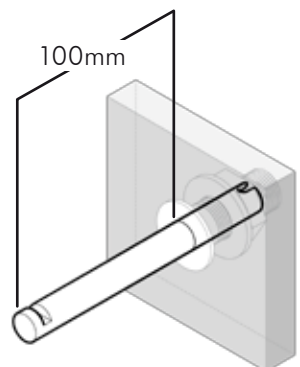
OR10 30mm Diameter Ferrule Socket



OR01 Straight Ferrule Arm  
20kg Loading Per Arm



OR02 Slopping Ferrule Arm  
20kg Loading Per Arm



OR04 Stub Ferrule Arm  
20kg Loading Per Arm