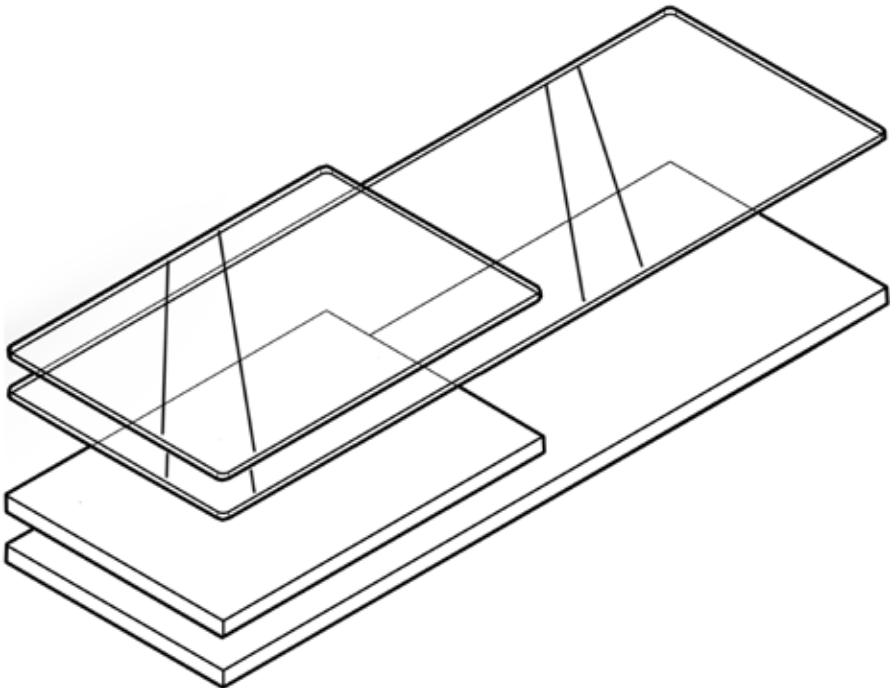


# Edge Shelf Merchandising

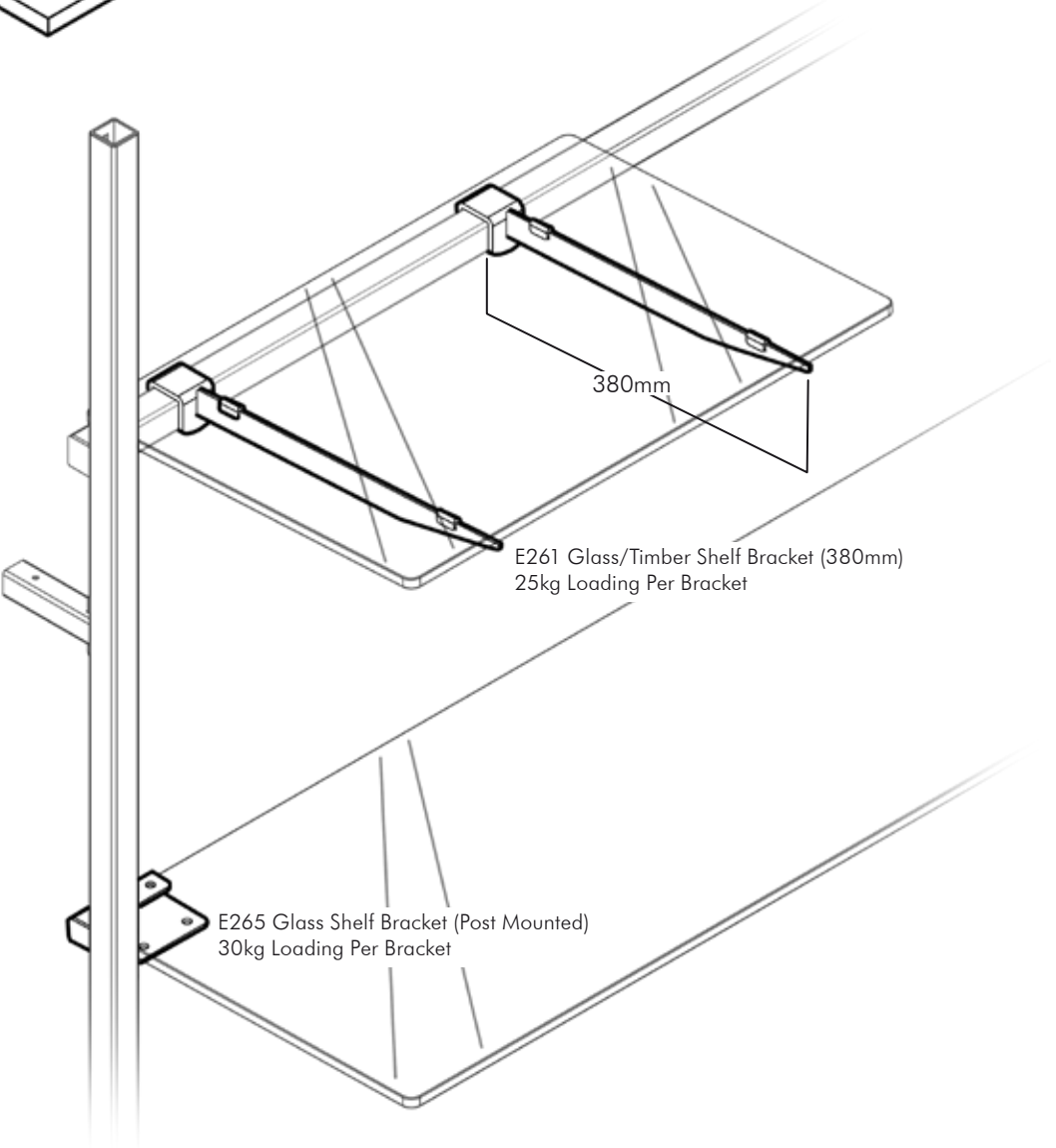


E380/560 Glass Shelf (10 X 380 X 560)  
15kg Loading Per Shelf

E380/1160 Glass Shelf (10 X 380 X 1160)  
30kg Loading Per Shelf

E385/560 Glass Shelf (25 X 380 X 560)  
20kg Loading Per Shelf

E385/1160 Glass Shelf (25 X 380 X 1160)  
40kg Loading Per Shelf



E261 Glass/Timber Shelf Bracket (380mm)  
25kg Loading Per Bracket

E265 Glass Shelf Bracket (Post Mounted)  
30kg Loading Per Bracket