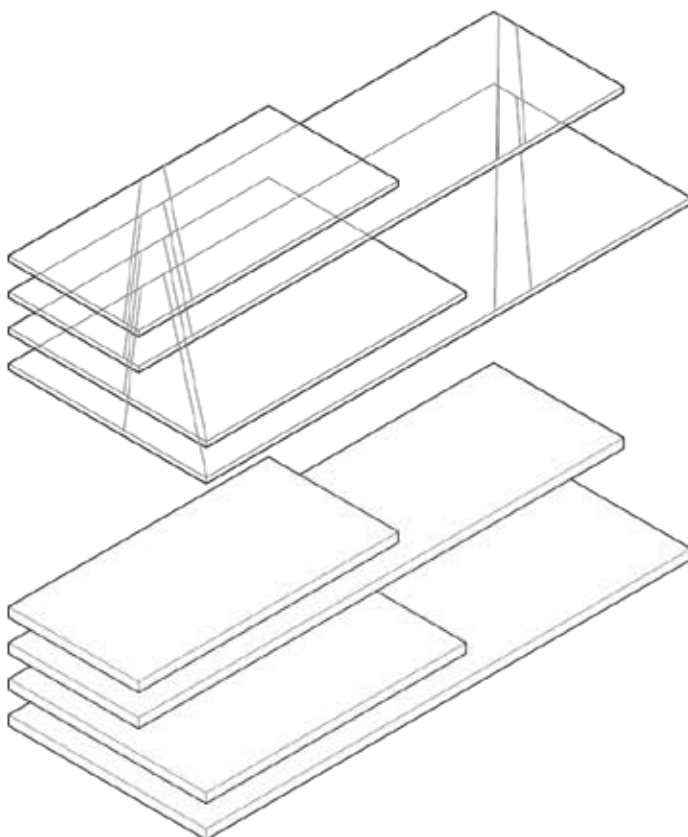
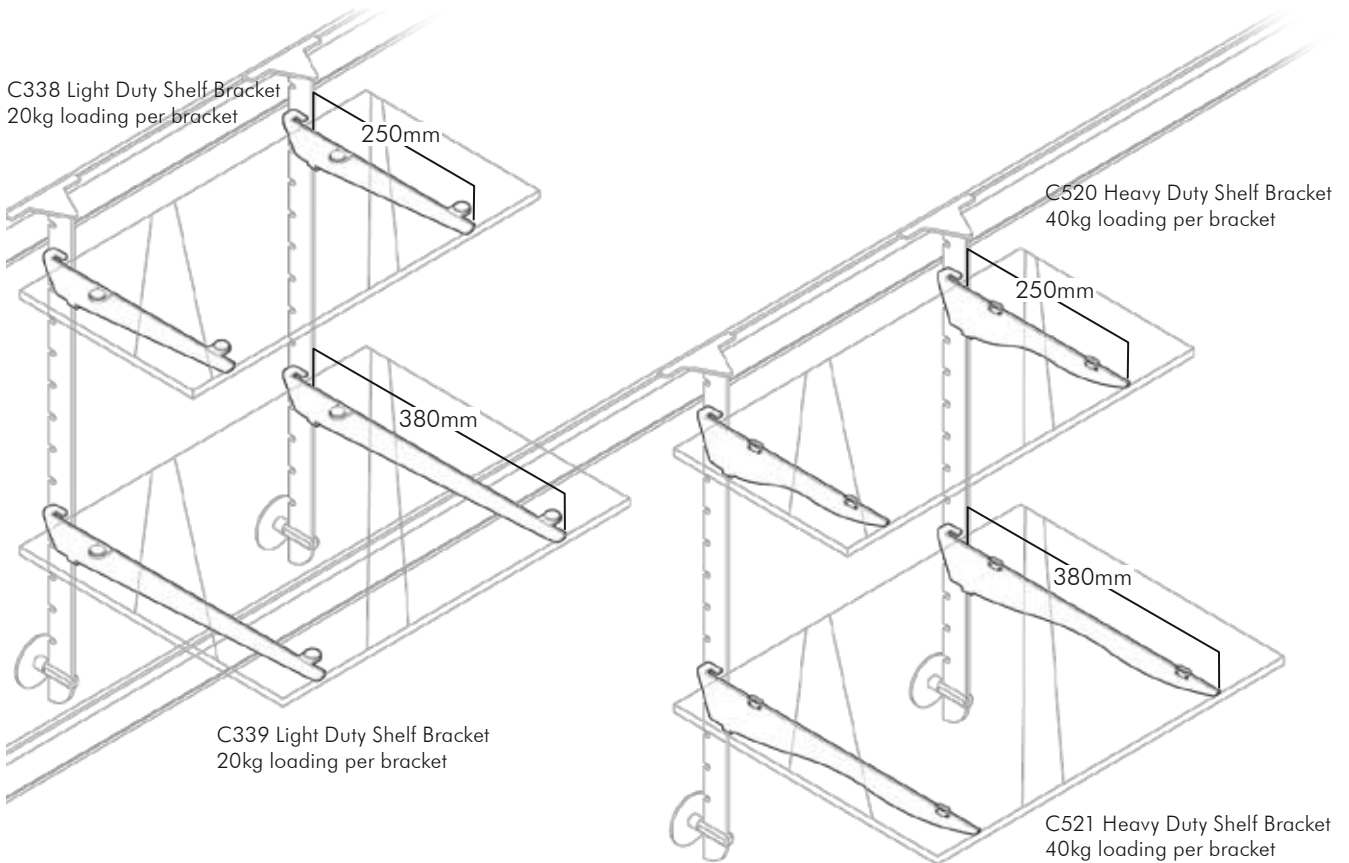


Cilplan Shelving and Brackets



C380/500 Glass Shelf (10mm x 250mm x 500mm)
10kg loading per shelf

C380 Glass Shelf (10mm x 250mm x 500mm)
20kg loading per shelf

C381/500 Glass Shelf (10mm x 380mm x 500mm)
15kg loading per shelf

C381 Glass Shelf (10mm x 380mm x 1000mm)
30kg loading per shelf

C385/500 Ash Faced MDF Shelf (19mm x 250mm x 500mm)
15kg loading per shelf

C385 Ash Faced MDF Shelf (19mm x 250mm x 1000mm)
30kg loading per shelf

C386/500 Ash Faced MDF Shelf (19mm x 380mm x 500mm)
20kg loading per shelf

C386 Ash Faced MDF Shelf (19mm x 380mm x 1000mm)
40kg loading per shelf

Note:

Individual loading capacity shown for shelving components should be considered in conjunction with those of the Tracks & Drops that support them.

Each 1000mm shelf weighs 10kgs and each 500mm shelf weighs 5kgs and will contribute towards the load carried by the Tracks & Drops (eg. 80kgs per linear mtr of surface track).

Please contact our sales team for further guidance.